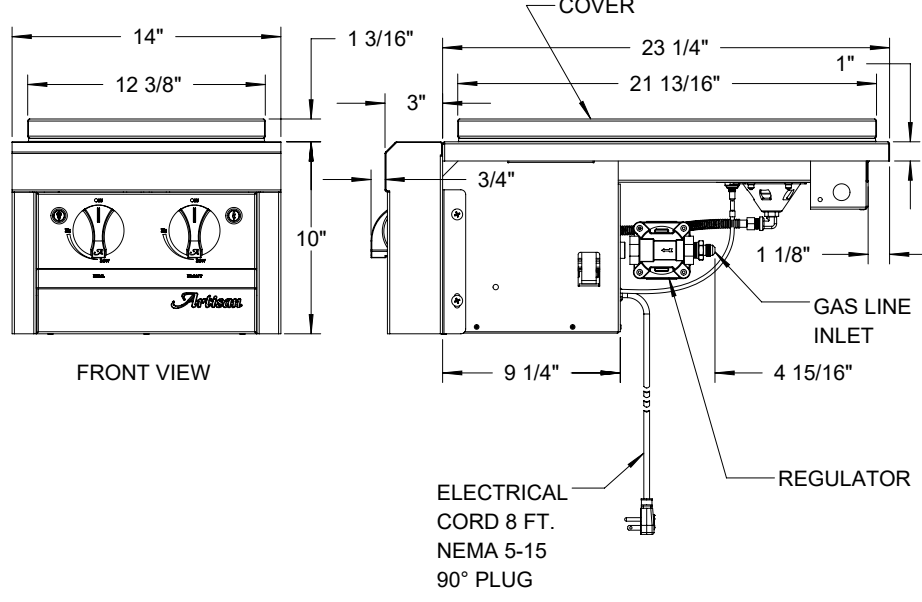
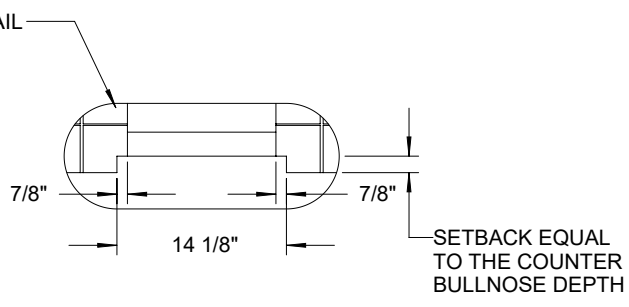
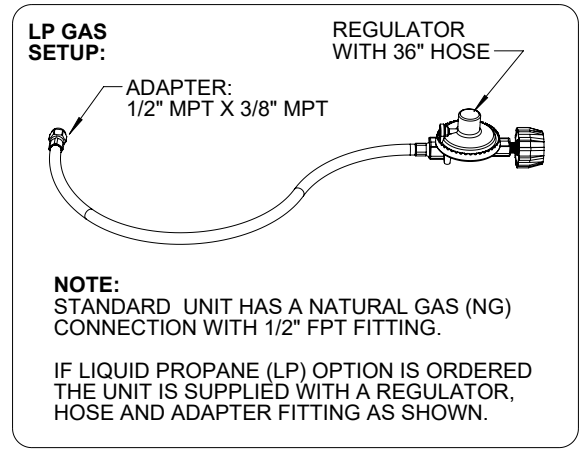
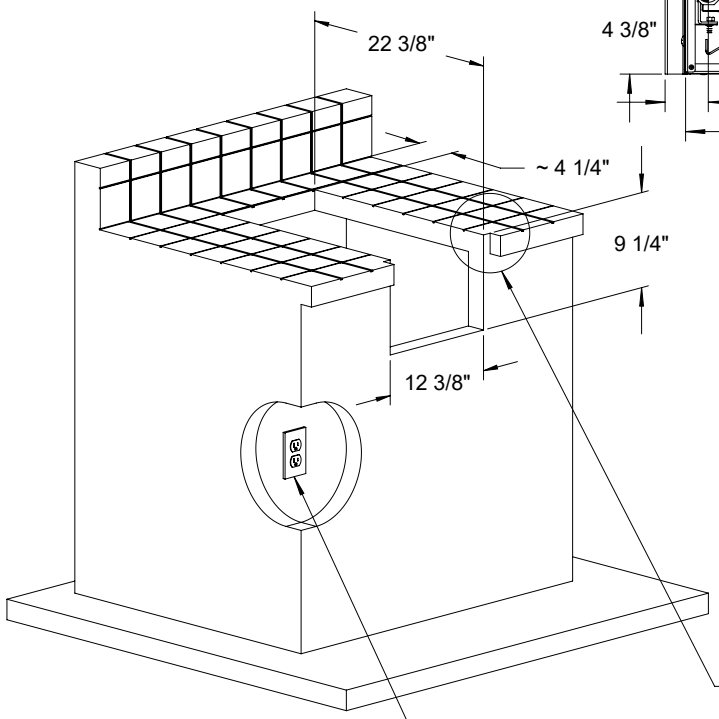
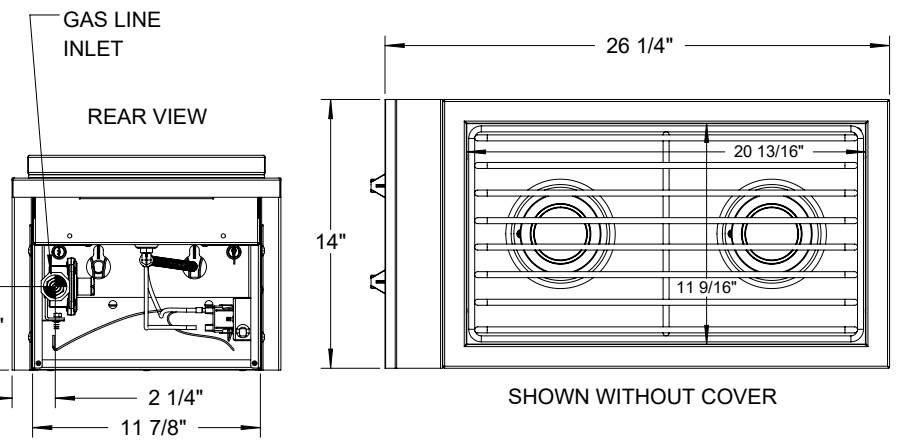


TYPICAL ARTP-SB2 INSTALLATION



COUNTERTOP CUTOUT REQUIREMENTS

NOTE: A GAS LINE IS REQUIRED INSIDE THE COUNTER FOR OPERATION. (FOR LP-GAS SETUP SEE NOTE AT RIGHT).
IT IS RECOMMENDED THAT A FLEXIBLE HOSE IS USED FOR NG-GAS SETUPS TO EASE INSTALLATIONS.



NOTE: ELECTRICAL POWER IS REQUIRED UNDER THE COUNTER (GFCI RECOMMENDED)

SPECIFICATIONS:

- BTUH = 30,000
- FUEL = NG @ 5" W.C. OR LP @ 10" W.C.
- ELECTRICAL POWER = 115 VAC
- GAS CONNECTION = 1/2" NPT (NG) OR 3/8" ODF (LP)



THE INFORMATION CONTAINED IN THIS DRAWING IS THE SOLE PROPERTY OF SUPERIOR EQUIPMENT SOLUTIONS INC. ANY REPRODUCTION IN PART OR AS A WHOLE WITHOUT WRITTEN PERMISSION FROM SUPERIOR EQUIPMENT SOLUTIONS, INC. IS PROHIBITED.

DRAWN BY: ADRIAN CRISCI
CREATED: 9/13/2018 8:23:05 AM

PROJECT TITLE:
SPEC SHEETS

DRAWING TITLE:
ARTP-SB2 SPECIFICATION SHEET

DRAWING NO.:
ARTP-SB2 SPEC SHEET

SHEET 1 OF 1