



STAINLESS  
SOLID



INTEGRATED  
SOLID



BLACK  
SOLID



WHITE  
SOLID

## FEATURES & BENEFITS

<b>PERFORMANCE</b>	<ul style="list-style-type: none"> <li>• Uses less than 3 gallons of water to produce up to 25 lbs of ice per day</li> <li>• Up to 25 lbs in ice storage capacity</li> <li>• Daily ice production rate is approx. 4 times greater than the average household refrigerator</li> <li>• Crescent ice cube dimensions: 1/2" W x 3/4" H x 2 1/4" L</li> <li>• On/Off switch is conveniently located on lower face of unit</li> </ul>
<b>INTERIOR/EXTERIOR</b>	<ul style="list-style-type: none"> <li>• No drain required</li> <li>• Stainless steel handle (7/8" diameter)</li> <li>• Door swing is field reversible, and is shipped right-hand hinged</li> </ul>
<b>INTEGRATION</b>	<ul style="list-style-type: none"> <li>• Unit is designed to be built-in or can be freestanding</li> <li>• Integrated model requires 3/4" custom door panel (panels not supplied by U-Line)</li> <li>• Four independently adjustable leveling legs provide a precise undercounter fit</li> <li>• Available in the following finishes: Stainless, Integrated, Black, or White</li> </ul>

## MODEL DETAILS

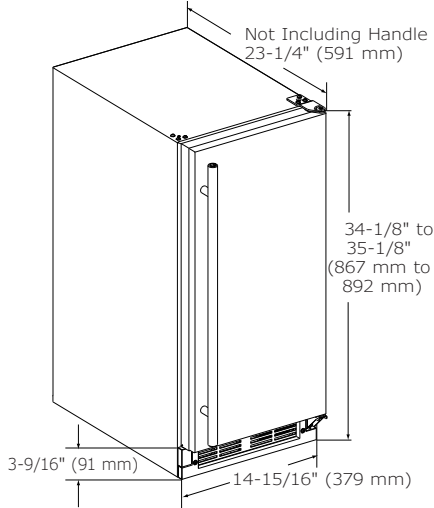
Model	Voltage/Hz	Door Swing	Finish	Shipping Weight
U-BI1215S-00B	115 / 60	Field Reversible	Stainless Solid	89 lb
U-BI1215INT-00B	115 / 60	Field Reversible	Integrated Solid	89 lb
U-BI1215B-00B	115 / 60	Field Reversible	Black Solid	89 lb
U-BI1215W-00B	115 / 60	Field Reversible	White Solid	89 lb
U-BI1215INT-20A	230 / 50	Field Reversible	Integrated Solid	89 lb

## ACCESSORIES

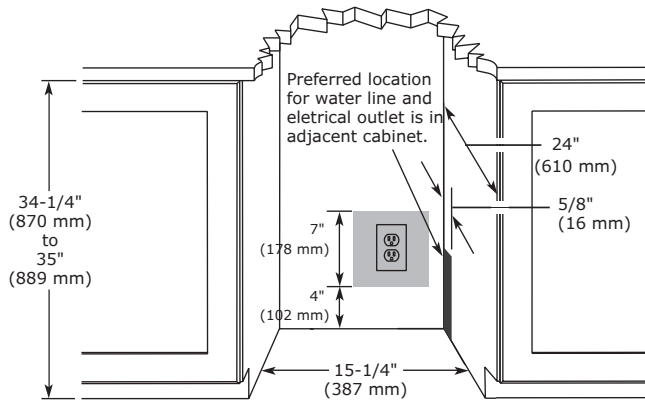
Model	Description	Finish	Shipping Weight
ULAWATERHOOKUP	Braided Water Supply Line Kit	N/A	2 lb

**DIMENSIONS**

Dimensions shown apply to all finishes, including Integrated (INT) models with 3/4" integrated panel/frame installed.



**CABINET CUT-OUT**



**SPECIFICATIONS**

Model	BI1215
Amps: Running	2.5
Control Type	On/Off Switch
Defrost Type	Manual
Dimensions: Product Depth	23 1/4" / 591 mm
Dimensions: Product Height	34 1/8" / 867 mm
Dimensions: Product Width	14 15/16" / 379 mm
Energy Consumption: Avg. Per Year	N/A
ENERGY STAR	N/A
Ice Production Per Day	25 lb
Ice Storage	25 lb
Panel Height	30 1/4" / 768 mm
Panel Thickness	3/4" / 20 mm
Panel Type	Solid Panel
Panel Width	14 3/4" / 375 mm
Product Weight: Max	83 lb
Refrigerant Type	R134a
Sabbath (Star K Certified)	No

**INSTALLATION NOTES**

- When installing adjacent to wall, ensure 2 1/2" clearance on hinged side for 90° door opening, allowing ample room for door handle.
- No additional clearance around sides, top or rear of unit is needed for ventilation.
- Do not obstruct front grille air flow.

**ELECTRICAL REQUIREMENTS**

This unit requires a grounded, polarized 115 VAC, 60 Hz, 15 A power supply (normal household current).

- 1 Year (parts & labor) / 5 year sealed system (parts)
- + **Additional 1 Year (parts & labor) warranty at no cost with product registration**

See complete warranty for details



Please visit [u-line.com](http://u-line.com) to view this model's User Guide & Service Manual. All Specifications are subject to change without notice.