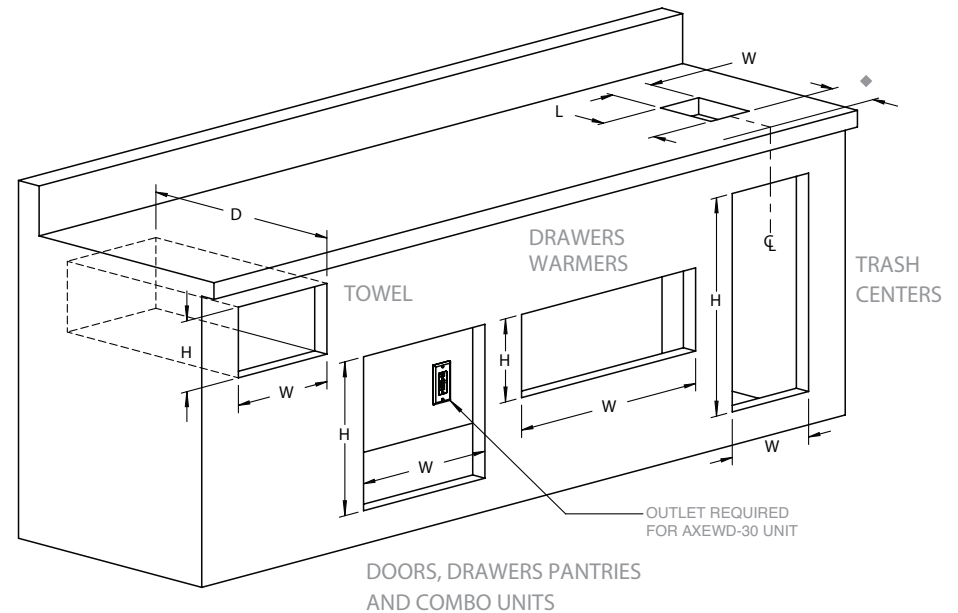


Front Mounted Island Accessories, Pantries, Doors, Drawers and Combo Units

MODEL	CUTOUT DIMENSIONS				SETBACK S	POWER			DRAIN LINE
	W	H	D	L		YES	NO	AMPS	
AXE-17L / AXE-17R	13-7/8"	18-1/2"	~				✓		
AXE-23L / AXE-23R	19-7/8"	18-1/2"	~				✓		
AXE-30	27-1/4"	18-1/2"	~				✓		
AXE-42	39-1/4"	18-1/2"	~				✓		
AXE-DDC-L / AXE-DDC-R	29-1/4"	18-1/2"	19-1/4"				✓		
AXE-2DR	14-3/4"	12-1/2"	19-1/4"				✓		
AXE-3DR	14-3/4"	19-1/4"	19-1/4"				✓		
AXE-30DR	27-3/4"	14"	23-3/4"				✓		
AXE-ID	24"	17-3/4"	25-1/8"				✓		5/8" ⚡
AXE-TC <small>(TRASH ONLY)</small>	12-1/2"	26-1/4"	18-1/2"				✓		
AXE-TC2 <small>(TRASH ONLY)</small>	23-7/8"	26-1/4"	18-1/2"				✓		
AXE-TH	14-1/2"	8-1/2"	7-7/8"				✓		
AXEDSP-30H	28-3/8"	31-3/4"	23-3/8"				✓		
AXEDSP-30L	28-3/8"	19-3/8"	23-3/8"				✓		
AXEDSP-42H	40-3/8"	31-3/4"	23-3/8"				✓		
AXEDSP-42L	40-3/8"	19-3/8"	23-3/8"				✓		
APWC <small>(CHUTE ONLY)</small>	6-1/4"	~	~	8-1/4"	4-5/8" ♦		✓		
AXEWD-30	28-1/2"	10"	20-1/4"				✓		3.9



Note: All power supplies are 115 VAC-1Ø-60 Hz. GFCI receptacle recommended.

- ♦ Note: 4 5/8" setback required from cabinet face (NOT BULLNOSE!).
- ⚡ Note: AB-ID unit comes with 36" plastic drain hose for condensation / ice water waste.

Refrigerator

MODEL	DIMENSIONS			NOTCH N	SETBACK S	POWER			DRAIN LINE
	W	H	D			YES	NO	AMPS	
AKK	2" DIAMETER HOLE				21-15/16" ⚡		✓		
ARDI	23"	32"	23"	13/16"			✓	5.7	1" ⚡
ARXE-42	42-1/2"	21-3/4"	23-1/4"		2" ♦		✓	2.9	
URS-1XE	28-1/2"	35"	23-3/8"				✓	2.8	

Note: All power supplies are 115 VAC-1Ø-60 Hz. GFCI receptacle recommended.

- ⚡ Note: Setback measured from cabinet front (NOT BULLNOSE!).
- ⚡ Note: Drain size is NPSM-floor drain in lieu of wall mount is acceptable.
- ♦ Note: Setback minimum distance from floor to accommodate ARXE-42 perimeter flange.

