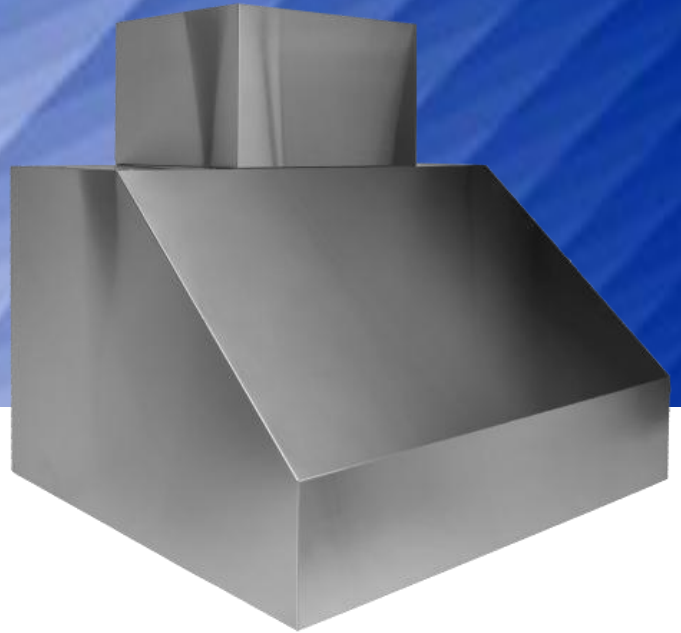


S7200CD SERIES BARBECUE GRILL HOODS

*New Smooth Front,
Convertible Discharge for
Top & Rear
Venting Options.*



Engineered for Beauty and Performance...

DISTINCTIVE DESIGN:

- Simplicity of Design and Function
- Available in 36", 42", 48", 54", 60", 66" and 72" widths
- Generously proportioned 32" depth of hood provides an Exceptional Capture Area
- Design of the Stainless Steel Commercial Baffle Filters adds a Professional Image
- Matching Telescopic Stainless Steel Duct Covers are available for single and double exhaust hoods
- New models have 15" deep top dimensions to improve Aesthetics and Performance

ENDURING QUALITY:

- Powerful Internal Blowers Deliver 1200CFM or 2300CFM
- Heavy gauge commercial stainless steel (#304 grade with #4 brush finish)
- Four 12" by 14" baffle filters for Enhanced Performance (six or eight filters on larger models)
- Dimmable 50 watt halogen lights
- Optional In-line Blower(s) Deliver 1266CFM

EASY INSTALLATION & CLEANING:

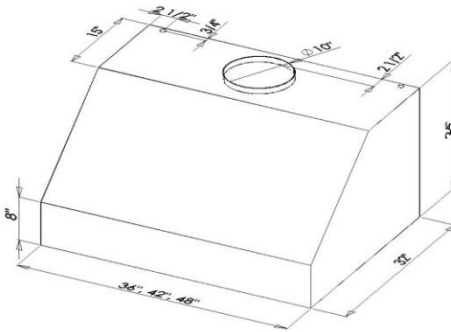
- Remote blower models are pre-wired for use with most in-line or exterior blowers
- Hoods with internal blowers are all pre-wired and Ready for Installation
- Convertible Discharge for Top or Rear Venting Options, 10" round or two 10" on larger models
- Durable, dishwasher safe commercial stainless steel baffle filters
- All stainless steel exterior design is Easy to keep Clean and Eliminates grease traps

Our latest BBQ Grill Hood features cutting-edge design for maximum performance and beautiful style to bring you the ultimate barbecuing experience.

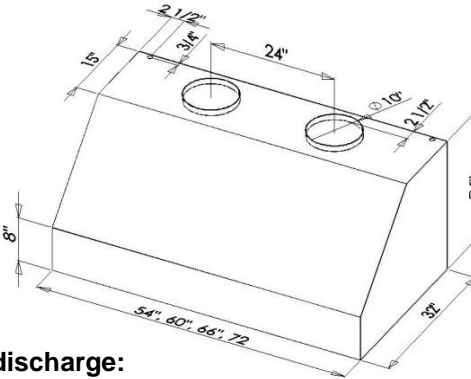

TRADE-WIND

S7200CD SERIES BARBECUE GRILL HOODS

A. Range Hood



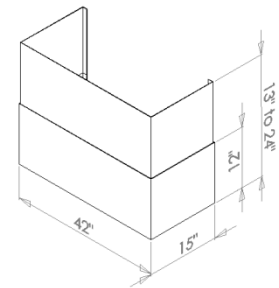
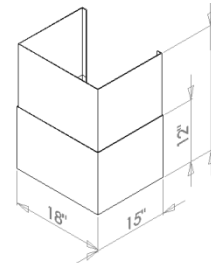
B. Range Hood



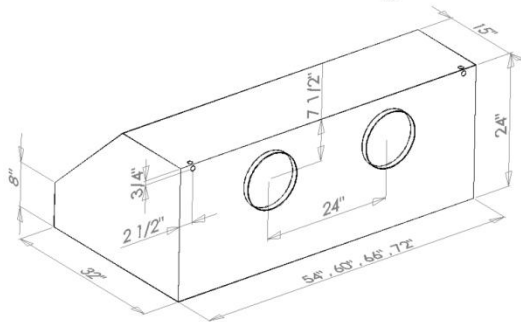
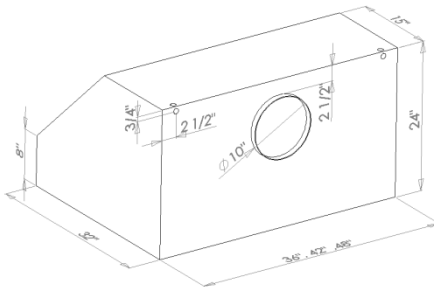
C. Duct Cover (sold separately for ceilings from 9' to 10')

-DC7201S-
(Single Duct)

-DC7201D-
(Dual Duct)



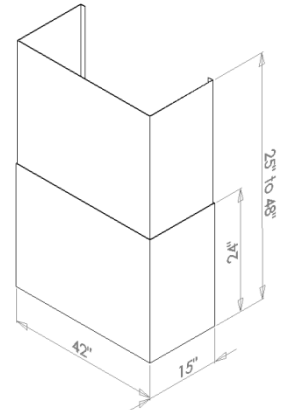
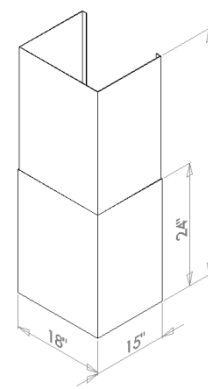
*After optional conversion to rear discharge:



D. Duct Cover (sold separately for ceilings from 10' to 12')

-DC7200S-
(Single Duct)

-DC7200D-
(Dual Duct)



	Model	Size	CFM	3-Speed Motors	In-Line or Remote Blower	Halogen Lights	SS Baffle Filters	Top or Rear Discharge	Variable Light Control
A	S7236CD	36"			X	X	X	X	X
A	S723612CD	36"	1200	X		X	X	X	X
A	S7242CD	42"			X	X	X	X	X
A	S724212CD	42"	1200	X		X	X	X	X
A	S7248CD	48"			X	X	X	X	X
A	S724812CD	48"	1200	X		X	X	X	X
B	S7254CD	54"			X	X	X	X	X
B	S725423CD	54"	2300	X		X	X	X	X
B	S7260CD	60"			X	X	X	X	X
B	S726023CD	60"	2300	X		X	X	X	X
B	S7266CD	66"			X	X	X	X	X
B	S726623CD	66"	2300	X		X	X	X	X
B	S7272CD	72"			X	X	X	X	X
B	S727223CD	72"	2300	X		X	X	X	X

- All dimensions are nominal +/- 1/8"
- All models exhaust vertically through a 10" round duct (two 10" on larger models)
- For rear discharge, change blowers' orientation

Trade-Wind Manufacturing, LLC® has a policy of continuous improvements and reserves the right to modify (at any time without notice) any or all of its products, features, designs, components and specifications. For exact dimensions, see the installation instruction included with the product.

For more information please contact your dealer or your Trade-Wind® representative.



TRADE-WIND

800 West Grant Street Phoenix, AZ 85007
1-800-955-5737
602-900-8500
t-wusa.com



TRADE-WIND

Revised 6/11/18

© Copyright 2018 Trade-Wind Manufacturing, LLC

Proverbs 22:29