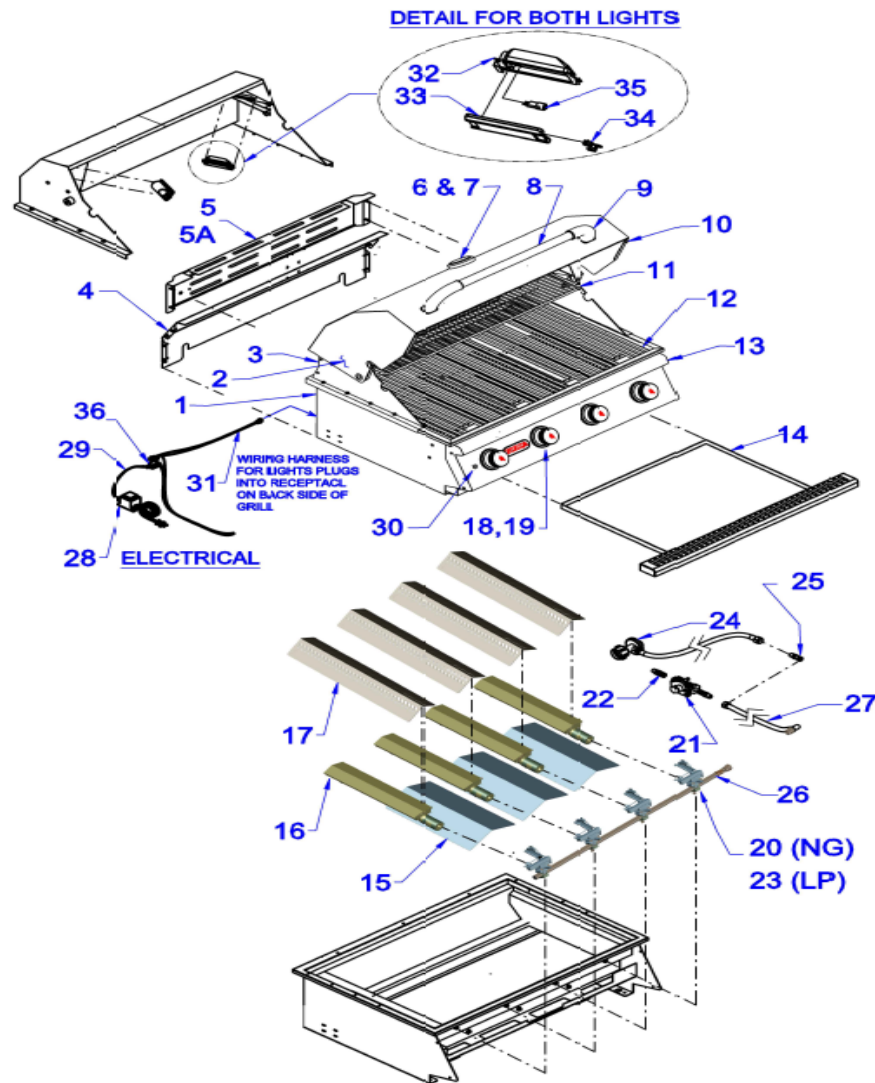




## LONESTAR SELECT GRILL MODELS #87048 & #87049 PARTS LIST AND REF DRAWING

ITEM NO.	PART NO.	DESCRIPTION	QTY	WARRANTY PERIOD
1	47023	INSERT ASSEMBLY	1	Lifetime
2	47019	LID - FRONT	1	1 year
3	87103	LID - REAR	1	1 year
4	47022	COVER - REAR LID	1	1 year
5	47008	BACK PANEL (2016 & OLDER MODELS)	1	1 year
5A	47024	BACK PANEL (2017 & NEWER MODELS)	1	1 year
6	16509	TEMPERATURE GAUGE	1	1 year
7	16673	TEMPERATURE GAUGE BEZEL	1	1 year
8	16523	LID HANDLE CENTER BAR	1	3 years
9	16522	LID HANDLE END CAP	2	3 years
10	16635	RUBBER BUMPER (FOR LID)	2	1 year
11	47004	WARMING RACK	1	3 years
12	16517	COOKING GRATE	4	Lifetime
13	87102	CONTROL PANEL	1	1 year
14	47011	GREASE TRAY	1	1 year
15	16670	HEAT SHIELD	3	3 years
16	44305	WELDED BURNER STAINLESS STEEL	4	5 years
17	16631	VENTED FLAME TAMER (16Ga)	4	3 years
18	16629	BEZEL - MAIN BURNER	4	1 year

ITEM NO.	PART NO.	DESCRIPTION	QTY	WARRANTY PERIOD
19	16613	KNOB - MAIN BURNER	4	1 year
20	16524	MAIN BURNER (NG) NATURAL GAS VALVE	4	1 year
21	16507	REGULATOR (NG) NATURAL GAS	1	1 year
22	16599	REGULATOR ADAPTER (NG) NATURAL GAS	2	1 year
23	16525	MAIN BURNER (LP) LIQUID PROPANE VALVE	4	1 year
24	16508	REGULATOR (LP) LIQUID PROPANE	1	1 year
25	16598	FLARE TO FLARE UNION (LP) LIQUID PROPANE	1	1 year
26	26103	MANIFOLD	1	3 years
27	*47006	STAINLESS FLEX TUBE	1	1 year
28	*16534	TRANSFORMER	1	1 year
29	16595	TRANSFORMER PIGTAIL	1	1 year
30	*16612	PUSH BUTTON LIGHT SWITCH	1	1 year
31	*16626	LIGHT WIRE HARNESS	1	1 year
32	*16627	LIGHT HOUSING	2	1 year
33	*16530	LIGHT LENS	2	1 year
34	16532	LIGHT BULB	2	N/A
35	*16529	LIGHT LENS CLIP	2	1 year
36	16592	LIGHT BINDING POST	1	1 year



Any item with an \* next to it requires a serial number

