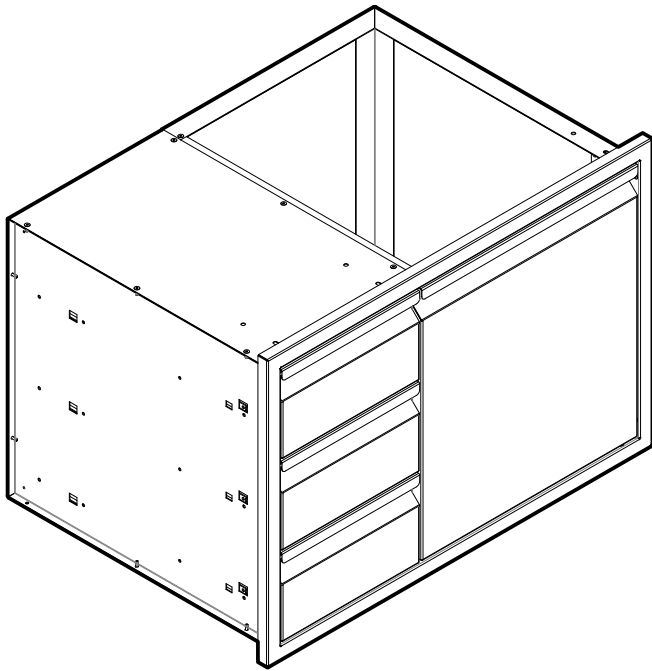
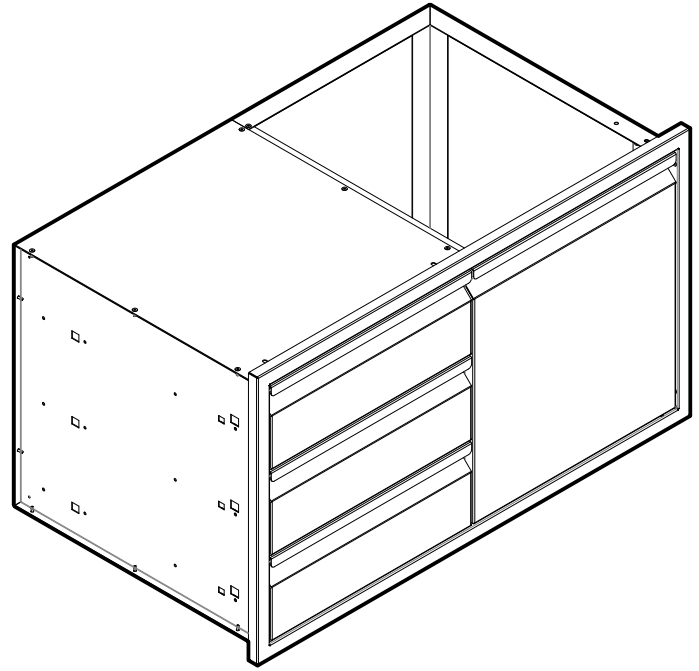




# TWIN EAGLES DRAWER-DOOR COMBO FEATURE SHEET



**TEDD303-B**  
TEDD302-B\*



**TEDD363-B**  
TEDD362-B\*

## FEATURES:

- 304 Stainless Steel construction
- Heavy duty, 100 lbs capacity, full extension and self closing removable slide
- SOFT closing doors with 3-way adjustable and concealed hinges
- Double walled doors with welded inside liners
- Non-protruding flush drawer and door handle design with hi-polished accents
- One-piece 18 gauge front frame
- Extra large drawers
- Easy to install

## SPECIFICATIONS:

\* - NOT SHOWN

### Overall Dimensions:

	TEDD303-B TEDD302-B*	TEDD363-B TEDD362-B*
Height:	20.75"	20.75"
Width:	30.00"	36.00"
Depth:	20.75"	20.75"
Ship Weight:	55 lbs	70 lbs

### Cutout Dimensions

	TEDD303-B TEDD302-B*	TEDD363-B TEDD362-B*
Height:	19.00"	19.00"
Width:	29.25"	35.25"
Depth:	n/a	n/a

### WARNING

PROP. 65 FOR CALIFORNIA RESIDENTS  
Cancer and Reproductive Harm -- [www.P65Warnings.ca.gov](http://www.P65Warnings.ca.gov)

### AVERTISSEMENT

PROP. 65 POUR LES RESIDENTS DE LA CALIFORNIE  
Cancer et Troubles de l'appareil Reproducteur -- [www.P65Warnings.ca.gov](http://www.P65Warnings.ca.gov)