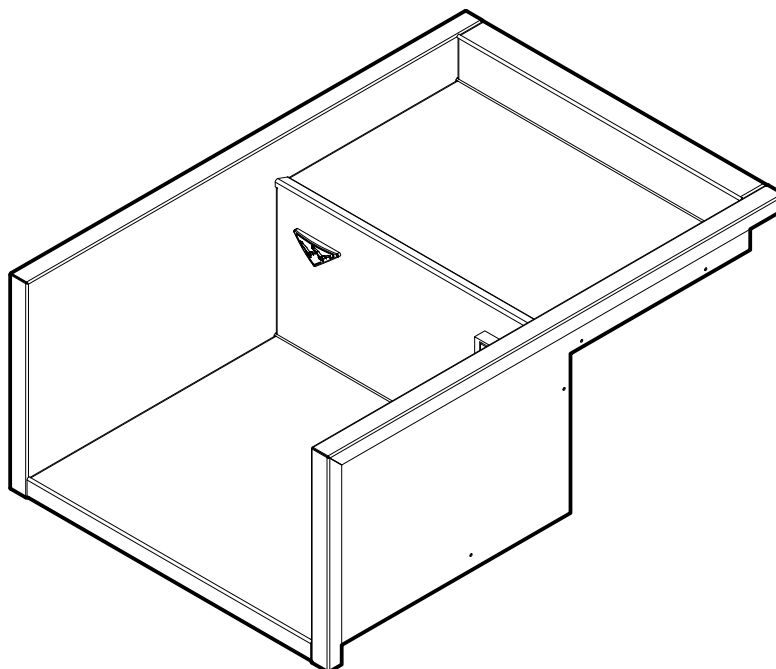




# TWIN EAGLES MARGARITA CENTER FEATURE SHEET



TEMC18

## FEATURES:

- 304 Stainless Steel construction
- Superior welding and finish
- Dual level working space
- Easily accessible outdoor approved outlet with GFCI
- Easy to install

## SPECIFICATIONS:

- Overall Dimensions:

TEMC18	
Height:	10.625"
Width:	18.00"
Depth:	25.00"
Ship Weight:	21 lbs
- Cutout Dimensions

TEMC18	
Height:	9.75"
Width:	16.50"
Depth:	24.25"



### WARNING

PROP. 65 FOR CALIFORNIA RESIDENTS  
Cancer and Reproductive Harm -- [www.P65Warnings.ca.gov](http://www.P65Warnings.ca.gov)



### AVERTISSEMENT

PROP. 65 POUR LES RESIDENTS DE LA CALIFORNIE  
Cancer et Troubles de l'appareil Reproducteur -- [www.P65Warnings.ca.gov](http://www.P65Warnings.ca.gov)